

EOM5420AAX BI Oven



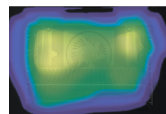
The extra space you need to suit dishes of all shapes and sizes

At 90cm wide, this oven is wider than standard ovens. So when you're cooking for a party – or using a large, specialist dish – you've got the space you need.



Get a virtual peek inside your dish

This FoodProbe gives you a virtual look inside your food so you can check on how it is cooking. What's more, it switches off the oven when your dish is ready.



The oven door that stays cool to the touch

Thanks to great insulation, the door stays cool. Never more than 20°C warmer than room temperature, it is always safe to touch.

Features :

- Built-in oven
- Multifunctional oven with ring heating element
- Oven energy class: A
- * 10% more energy-efficient compared to the limit of energy efficiency class A (1,00 kWh) for large ovens (≥ 65 l) calculated according to EU Directive 2002/40/EC
- Oven cooking functions: Bottom, Fan, Fan + ring + top (alter) + bottom (alter), Grill, Grill + bottom, Grill + bottom + fan, Grill + top, Grill + top + fan, Ring + fan, Top + bottom, Top + bottom + fan
- Anti fingerprint stainless steel
- Oven cavity with 2 baking levels
- Meat Probe
- Retractable knobs
- Electronic oven functions overview: Accoustic signal, Duration, End, Food sensor automatic switch off, Minute minder, Time
- High gloss enamel oven lining, easy to clean
- Easy to clean door
- Cooling fan
- Trays supplied with the oven: 1 Cake tray grey enamel, 1 Dripping pan grey enamel, 1 Pizza stone
- Grids supplied with the oven: 1 Grill pan grid chromed wirework
- Electric cable length: 1.8 m

Technical Specs :

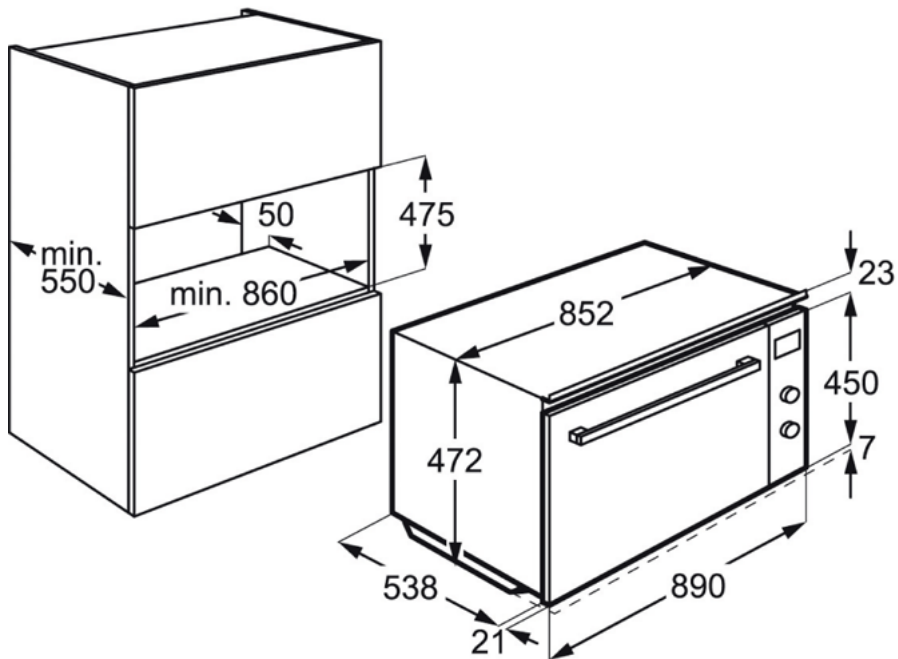
- Product Installation : Built_In
- Product Typology : BI_Oven_Electric
- Product Classification : Statement
- Type : Single
- Installation : BI
- Size : 90x50
- Oven Energy : Electrical
- Cooking : Multifunction
- Cleaning top oven : Grey Enamel
- Cleaning bottom oven : No
- Nø of cavities : 1
- Design family : Inspiration
- Main colour : Stainless steel with antifingerprint
- Control Panel material : Glass With Decor Trim
- Type of doors : 1 Horizontal stripe glued, 3 Glasses
- Type of handle : Metal, Towel Rail
- Door hinges : Drop Down Removable
- Drawer : No
- Control lamps : Power on, Thermostat Indicator
- Hob control : No
- Thermostat : Top
- Type of timer min. : Digital
- Electronic Oven Control : UMPD High
- Feature Electronics : Accoustic signal, Duration, End, Food sensor automatic switch off, Minute minder, Time
- Cooking function top oven : Bottom, Fan, Fan + ring + top (alter) + bottom (alter), Grill, Grill + bottom, Grill + bottom + fan, Grill + top, Grill + top + fan, Ring + fan, Top + bottom, Top + bottom + fan
- Height total : 480
- Width mm : 890
- Depth mm : 559
- Built in depth mm : 550
- Built in height mm : 475
- Built in width mm : 860
- Frequency : 50-60
- Voltage : 220-240

Product Description :

Electrolux947 727 253

EOM5420AAX BI Oven

PSGBOV140D002018



PSGBOV140D002019

